



## Switchgear type RKS5-4/2

for rated voltage 500V



Switchgear type RKS5-4/2 is an electrical device designed for use in the underground mining pits in non-explosive conditions and on the ground.

Switchgear type RKS5-4/2 is designed for connecting and switching on receivers in the 3-phase mine grid with insulated star point on the transformer (system IT) of rated grid voltage of 500V.

Switchgear is used for supplying welding machines, fans and 500V grid division.

### TECHNICAL DATA:

ingress protection	IP54
insulation rated voltage of main circuits	660 V
insulation rated voltage of auxiliary circuits	250 V
supply rated voltage	500V, 50 Hz
maximum outlet load current	acc. to Tab.1
number of 500 V outlets	4
dimensions:	1500 x 700 x 370mm (H x W x D)
weight	65 kg

Table 1

Type of switchgear	Maximum outlet rated current [A]				Rated current of clamps from the supply side (Inz) [A]
	outlets				
	I	II	III	IV	
RKS5-4/2	115	40	40	115	400

## CONSTRUCTION

The switchgear housing is made of steel sheets. The whole unit is based by a common support frame. The housing is equipped with brackets that allow for the switchgear to be hung on a chain or to be placed directly on the ground.

## MODE OF OPERATION

Control of outlets 500V is carried out with the buttons situated on the face of the switchgear

The switchgear is equipped with power protections against short-circuiting, overloading, low insulation resistance and an increase in earth resistance.

The switching on/switching off of the an outlets are carried out with the control button situated on the face of the switchgear or with the emergency off-button.

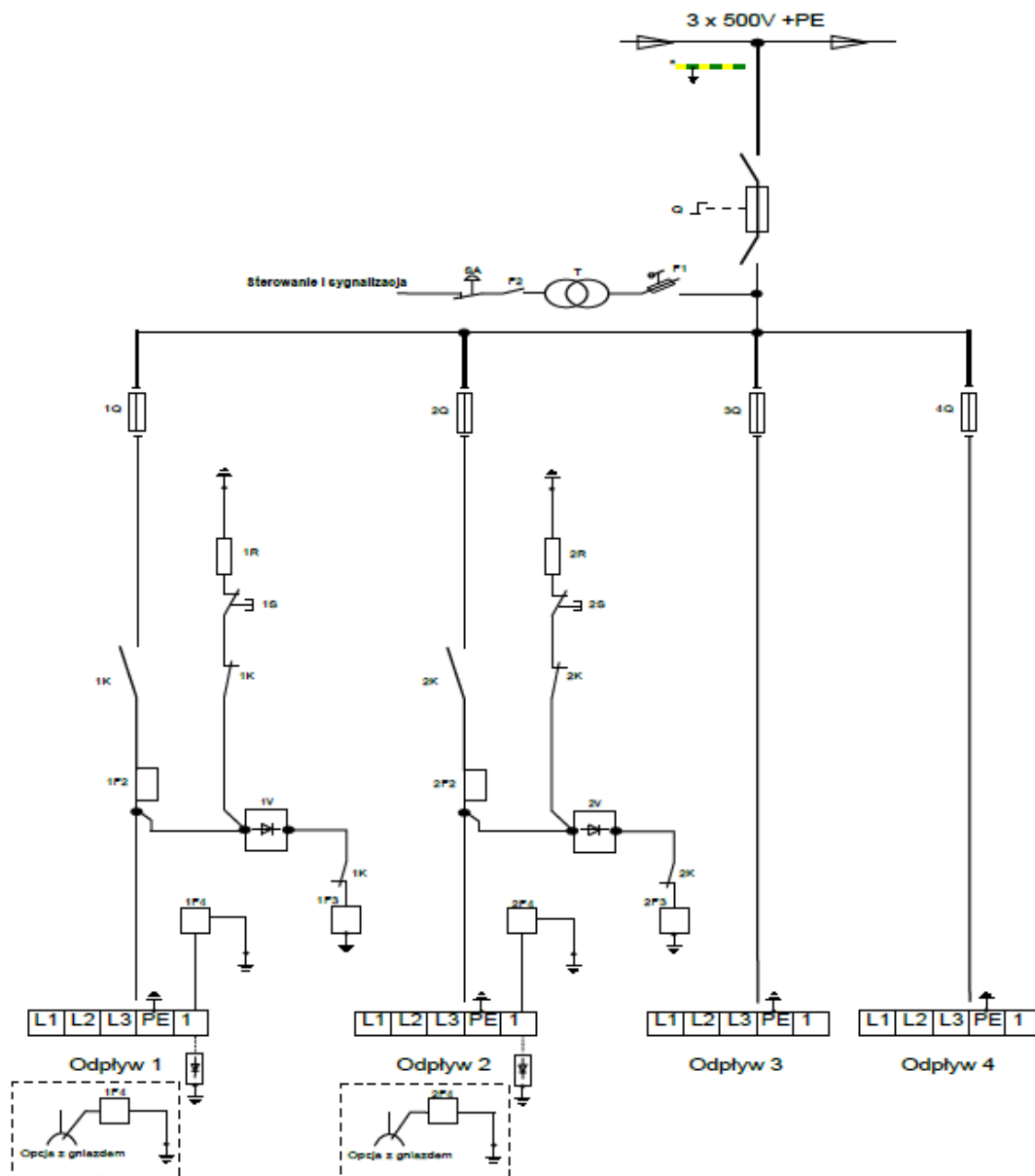
## SCHEMATIC DIAGRAM

### Legend:

Sterowanie i sygnalizacja - **control and signalization**

Opcja z gniazdem - **option with socket**

Odplyw 1,2,3,4 - **outlet 1,2,3,4**



Orders should be submitted in writing or by fax to the address:

 **Instal-Service PL**

Spółka z ograniczoną odpowiedzialnością  
Spółka komandytowa

58-506 Jelenia Góra, ul. Wrocławska 15a  
tel. (+48 075) 64-57-950  
fax. (+48 075) 64-57-951  
e-mai: instal@instal-service.pl